

System 4 Site Survey Form

BIODEX

Date: _____

Name _____

Title: _____

Institution: _____

Address: _____

City: _____ State: _____

Zip: _____ Phone: () _____

Biodex Order #: _____ Customer Purchase Order#: _____

SITE REQUIREMENTS: Please complete, sign and return this form signifying compliance.

ELECTRICAL PREREQUISITES: Required prior to delivery of unit

- Locate rear of T-base within 10 feet of the specified electrical receptacle
- Specified electrical receptacle (see outlet configuration image):
Single Hubble #1G 5461 rated for 250 VAC, or hospital grade equivalent.
- 20 amp dedicated service with one of these voltage ranges*
 - _____ 195 VAC to 215 VAC
 - _____ 216 VAC to 225 VAC
 - _____ 226 VAC to 245 VAC

*PLEASE check your voltage and indicate which voltage range best fits.
IMPORTANT: Performance is affected by voltage.



OUTLET CONFIGURATION

NEMA NO.	RATING	CAT. NO.
6-20R	20A 250 VAC	IG 5461

General Notes

1. Provide proper electrical receptacles as required for each individual unit being served.
2. Failure to use a dedicated electrical service with isolated ground may void warranty.
3. Customer shall assume full responsibility for any deviation from the specifications.
4. All electrical work shall be done in compliance with the local building codes and all other codes in effect and with the approval of all agencies having jurisdiction in the region of the installation.
5. Circuit breaker shall be properly labeled. Electrician shall label appropriate cover plates as "Biodex System".
6. Ambient room temperature of 60-80 degrees fahrenheit, up to 60% humidity.
7. Ability to support 60 lb/sq ft
8. Access through passageway of no less than 33" wide (see profile).
9. Low-static environment (anti-static rugs or hard floor).
10. Approx. 64 sq feet of floor space for operating clearance.
11. Facility is only accessible by stairs.
12. Facility is accessible by an elevator.
13. A clinically trained person will be available for installation instruction. Only properly trained personnel will operate the Biodex System.

Destination Delivery Information

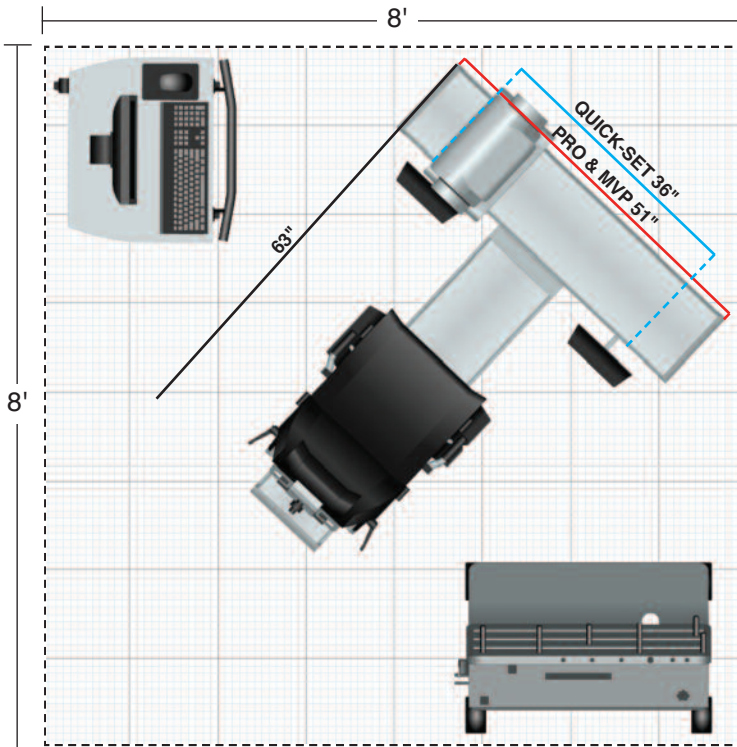
1. Is the facility currently under construction or remodeling? Yes No
2. When will the facility be ready to accept delivery? _____
3. Is the facility accessible to a tractor trailer truck? Yes No
4. Does the facility have a loading dock? Yes No
5. What is the approximate distance (in feet) that the equipment will need to travel from the truck to the location of the installation? _____
6. What is the number of stairs that will affect this delivery?
Stairs outside the facility _____
Stairs inside the facility _____
7. How many elevators will effect the delivery? _____
8. What are the dimensions of the smallest elevator? _____
9. What is the size of the smallest doorway that will effect the delivery? _____ x _____

I understand that the information provided here will be taken into consideration in calculating the shipping cost for this equipment. I also understand that I may be financially responsible for all additional charges incurred because of any misinformation supplied here.

Signature/Representative of Institution

COMPLETE, SIGN AND RETURN THIS FORM TO SALES@BIODEX.COM OR FAX 631-924-9241

Biodex Medical Systems, Inc. 20 Ramsey Road, Shirley, New York, 11967-4704, Tel: 800-224-6339 (Int'l 631-924-9000), Fax: 631-924-9241, Email: info@biodex.com, www.biodex.com



SYSTEM 4 ACCESSORIES

Biodex System 4 is supported by a range of optional accessories to maximize your capabilities.

- Hamstring Attachments
- UE Hemiparetic Attachments
- Closed Kinetic Chain Attachment
- Ankle Attachment
- Hip Attachment
- Anti-Shear Attachment
- Pediatric Attachments
- Work Simulation Tools
- Dual Position Extension/Flexion Back Attachment**
- Seat Back Brace Attachments
- Shoulder Input Tube
- Chair Wedge
- Wide Seat

www.biodex.com/S4accessories



System 4 PRO & MVP

SYSTEM 4

- Total operating floor space required: 64 sq ft (6 sq m)
- Static Load Rating: Less than 60 lb/sq ft (.14 kg/sq cm)
- Electrical Requirements: 220 VAC, 60 Hz
- Accessible from a single side and front, or both sides and front

• System 4 PRO & MVP Actual Footprint:

- T-Base with Dynamometer and Positioning Chair: 51" x 63" (131 x 162 cm)
- Clinical Data Station: 25" x 19" (64 x 48 cm)
- Accessory Cart: 33" x 20" (85 x 51 cm)

• System 4 QUICK-SET Actual Footprint:

- Base with Dynamometer and Positioning Chair: 36" x 63" (91 x 162 cm)
- Clinical Data Station: 25" x 19" (64 x 48 cm)
- Accessory Cart: 33" x 20" (85 x 51 cm)



System 4 QUICK-SET

BIODEX

Biodex Medical Systems, Inc.

20 Ramsey Road, Shirley, New York, 11967-4704, Tel: 800-224-6339 (Int'l 631-924-9000), Fax: 631-924-9241, Email: info@biodex.com, www.biodex.com

**Back Attachment requires additional floor space, measuring 48" l x 41" w (123 x 105 cm).

U.S. Pat. No. 4,628,910
U.S. Pat. No. 5,209,223
U.S. Pat. No. 4,691,694