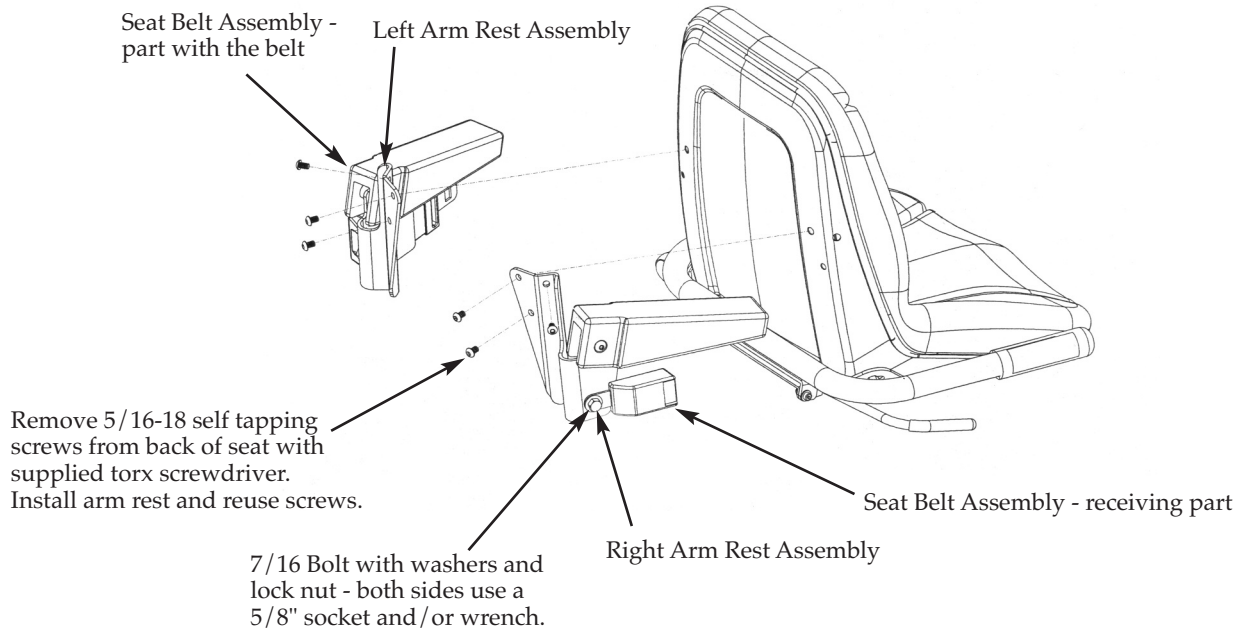


ARMREST SEAT BELT INSTALLATION INSTRUCTIONS

For Armrest brackets 950-230-M350 and 950-230-M351 used on BioSteps built after 10/1/09.

Armrest/Seat Belt Stabilization Kit Installation Drawing



Parts and Tools included

QTY	Description
(2)	Left and Right Armrest/seat belt brackets
(1)	Seatbelt assembly
(2)	7/16-20 Locknut
(2)	7/16-20 Hex Head Bolt
(4)	7/16 Flat Washer
(1)	T-40 mm Torx screwdriver (not shown)

A 5/8" socket and/or wrench is required but not included



1. Remove the (3) 5/16-18 self tapping screws from the seat back on each side with the supplied Torx screwdriver.
DO NOT DISCARD – These will be reused in step 2.
2. Attached the Right and Left side arm rest/seat belt brackets using the 5/16-18 self tapping screws.
3. Install the seat belt assembly using the 7/16-20 hex head bolt, washers and lock nut.
This requires a 5/8" socket and/or wrench (not included)
4. Check all components and fasteners to ensure they are properly installed and functioning correctly

BIODEX

Biodex Medical Systems, Inc.

20 Ramsay Road, Shirley, New York, 11967-4704, Tel: 800-224-6339 (Int'l 631-924-9000), Fax: 631-924-9241, Email: info@biodex.com, www.biodex.com