

PET UNIT DOSE CABINET

OPERATION MANUAL

244-200

244-205



BIODEX

Biodex Medical Systems, Inc.
20 Ramsay Road, Shirley, New York, 11967-4704
Tel: 800-224-6339 (In NY and Int'l, call 631-924-9000).
Fax: 631-924-9241 Email: sales@biodex.com, www.biodex.com

This manual contains assembly and operation instructions for the following products:

244-200 PET Unit Dose Cabinet
244-205 PET Unit Dose Cabinet

INTRODUCTION

The Biodex PET Unit Dose Cabinet is ideal for use in small PET hot labs. It provides a space-efficient work area with plenty of shielded storage capacity.

The cabinet supports a Compact L-Block Shield with built-in dose calibrator shield and lead brick cave, a recess mounted sharps container shield, and an Atomlab 100 Dose Calibrator. The dose calibrator control is mounted on a stand above the countertop, increasing workspace. The stainless steel countertop features a 4" backsplash and a .5" spill proof lip. Model 244-205 also has a cutout for use with the Lead Brick Cave.

The lower cabinet has locking doors, two sliding bottom shelves, and two sliding top shelves. The bottom shelves can be used to hold PET shipping containers. The top shelves can be used to store syringes, syringe shields and other small items.

The PET Unit Dose Cabinet is completely shielded on all six sides with .25" lead and can stand alone or be combined with other cabinets.

INSTALLING THE SHARPS CONTAINER SHIELD (039-412)

NOTE: *Two people are required to complete the following procedure.*

1. Remove the Sharps Shield Adjustment Plate from the right front draw of the cabinet and unwrap.
2. Insert the plate through the hole in the top right side of the cabinet. Position the plate so bends face down and one bend faces toward the front of the cabinet.
3. The plate is used to support the sharps shield and can be adjusted using the Allen screws (see step 7).
4. Line up the 1/4-20 eyebolts on the circular Sharps Container Shield with the eyebolt holes in the countertop's Sharps Container Shield cutout (located at the back right of the countertop.) The hinge side of the sharps container shield should face toward the outside edge of the countertop.



NOTE: *The 1/4-20 eyebolts are not supplied. Screw them into the two threaded holes at the top of the sharps shield.*



CAUTION: *The Sharps Container Shield weighs 175 pounds (79.37 kg). Use a forklift to hoist it into position.*

5. With the aid of another person, lower the Sharps Container Shield into the cutout, making sure the eyebolts fit securely into the notches so that the Sharps Container Shield is resting on the support plate inside the cutout and the rim is flush with the countertop.

6. If desired, add silicon sealant to seal the Sharps Container Shield rim to the countertop.
7. Using an Allen wrench, adjust the four set screws on the Sharps Container Shield support crossbars, located under the Sharps Shield, until the bottom of the shield is fully supported. The screws are located inside the cabinet, on the underside of the support bars. Access the set screws by opening the right side cabinet door

USING THE SHARPS CONTAINER SHIELD

The Sharps Container Shield is designed for use with the 039-413 Sharps Container.

To deposit sharps, lift the hinged cover and release the syringe into the container. Close the hinged cover.

To change the sharps container, unlock the Sharps Container Shield top door. Grab the two handles and rotate the top counterclockwise to lift off and reveal the container. Remove the container and dispose appropriately. Replace with a new sharps container. Replace the top door and rotate clockwise to secure.

INSTALLING THE L-BLOCK SHIELD AND LEAD BRICKS

1. Lower the L-block shield onto the countertop and slide it into position so that it fits over the Dose Calibrator chamber hole in the cabinet counter top. The L-block shield can be hoisted via the two lifting holes, located on each side of the shield near the viewing area and the lifting eye on the back of the L-Block shield. Insert a 3/8" shackle through the holes and use a block and tackle to hoist the shield into position.
2. For model 244-205 only, if desired, install the Lead Brick Cave.

INSTALLING THE DOSE CALIBRATOR CHAMBER

NOTE: *Two people are required to complete the following procedure.*

1. Open the left cabinet door and pull out fully on the top left shelf.
2. Depress the tabs located on each side of the slide tray and slide the shelf straight out to remove.
3. Using a Phillips Head screwdriver, remove the two screws with flat washers that hold up the chamber support plate and shield. Retain the screws and washers. The plate is located directly beneath the chamber cutout at the top left rear corner of the cabinet.

NOTE: The support plate is hinged and it will swing down once the screws are removed. Be sure to support the plate with your free hand, or have someone else support the plate as you remove the screws.

4. Locate the 8.5" long by 1.5" wide chamber support bar. Keep the bar nearby for use in step six.
5. With the chamber facing forward (connector sockets toward the front of the cabinet) lift the chamber up through the chamber cutout in the countertop.
6. While one person supports the chamber from above, have a second person place the chamber support bar across the chamber cutout so that the bar rests securely on the two side tabs.
7. Lower the chamber back down so it rests on the chamber support bar. The bar is designed to support the full weight of the chamber during this procedure.
8. Hinge up the support plate and secure using the two screws and flat washers removed in step 3.
9. Plug the chamber signal cable into the chamber unit and route the cable along the back wall inside the cabinet. Guide the cable through the rectangular hole at the back of the divider panel, and up through the back hole on the right side of the cabinet so that it emerges at the Dose Calibrator shelf support post.
10. Ensure enough cable protrudes through the back hole to connect the chamber to the dose calibrator, then use the supplied tie wraps to secure the cable neatly inside the cabinet after installing the Atomlab Dose Calibrator display.
11. Replace the top left shelf by sliding it back in.

INSTALLING THE ATOMLAB 100 DOSE CALIBRATOR DISPLAY

1. Using a 7/16" wrench, remove the four acorn nuts and flat washers that secure the Dose Calibrator Display Shelf support post to the countertop (they should be found on the base of the shelf.)
2. Position the shelf and then use the four acorn nuts and flat washers to secure the shelf to the countertop. Tighten the acorn nuts and washers to secure the shelf in place.
3. The dose calibrator display shelf can be moved forward and backward along the support arm. To move the shelf, loosen the four acorn nuts on the bracket under the support shelf. Lift the shelf slightly to disengage the shelf pin. Move the shelf forward or back along the post and re-engage the pin in the desired hole. Retighten the four nuts on the bracket under the support shelf to secure.
4. Place the Atomlab 100 Dose Calibrator onto the support shelf. The Atomlab will be held in position by the shelf's front lip.

5. Connect the chamber signal cable to the back of the dose calibrator.
6. Plug the power cord into the back of the dose calibrator.
7. Run the power cable under the support plate, down the support tube, and over the back wall of the cabinet. Fasten both the chamber signal cable and power cord at the base, and along the support tube, with tie wraps supplied.
8. Plug the dose calibrator power cord into a wall socket. The PET Unit Dose Cabinet is now ready for use.

NOTE: To use the dose calibrator and chamber, refer to the *Atomlab 100Plus Dose Calibrator Operations Manual* provided with the dose calibrator.

MAINTENANCE

As required, wipe all surfaces except dose calibrator with a clean cloth and solution of warm water with mild detergent (or Radiacwash for decontamination).

Wipe dose calibrator using a soft cloth dampened with alcohol.

SPECIFICATIONS

Dimensions: 36.5" w x 24.75" depth x 36.5" h (93 x 63 x 93 cm)

Lead Shielding: .25" thick (.64 cm)

Finish: Powder coat

Doors: Key-locked

Countertop: Stainless steel with 4" backsplash and .5" spillproof lip

Weight: 1240 lb (562 kg)

OPTIONAL

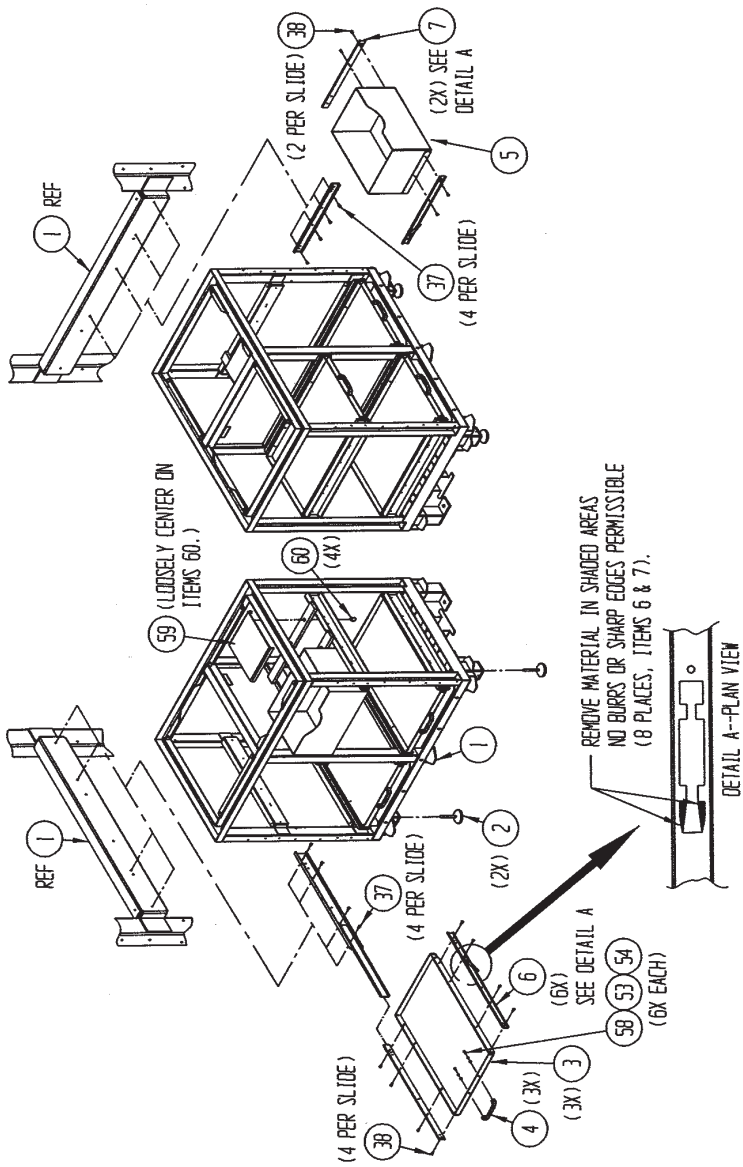
039-413 Sharps Container, 12/pkg

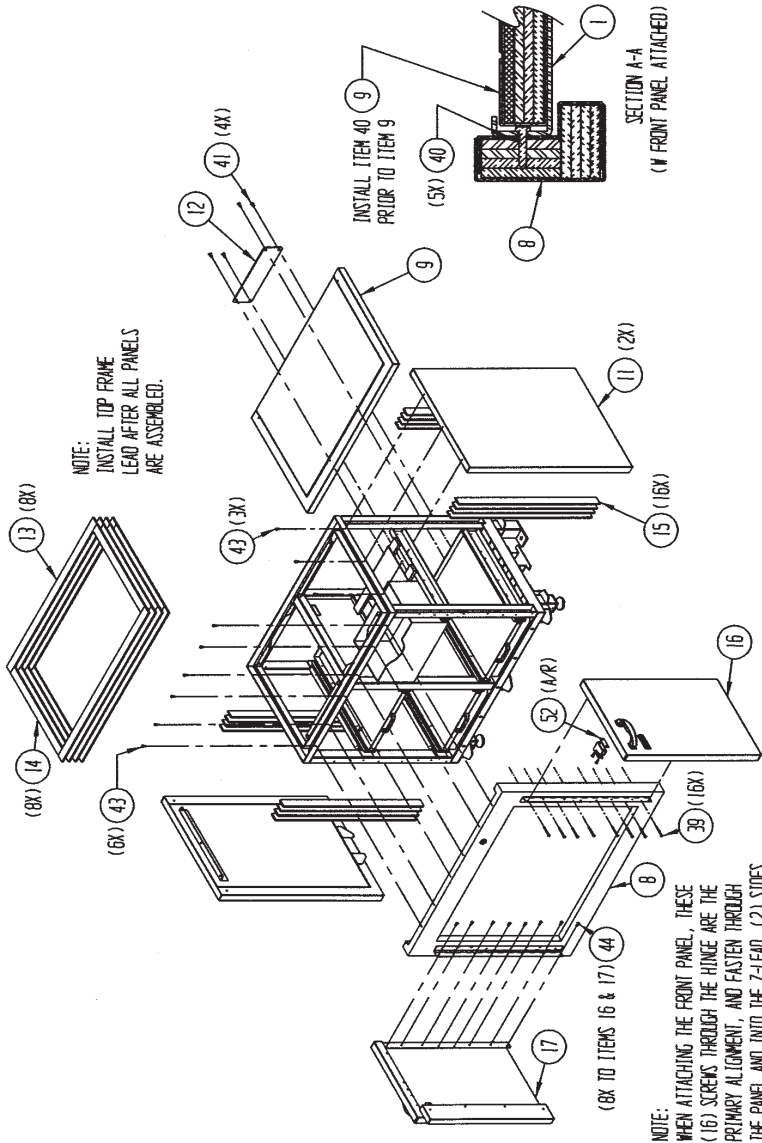
005-400 Radiacwash, Spray Mist, 1L bottle

REPLACEMENT

31	2	244-200-M313	PIVOT LINK, SHIELD	
30	1	244-200-M305	LEAD PLATE W/CUTOUT, SHIELD	
29	1	244-200-M304	LEAD PLATE W/CUTOUT, SHIELD	
28	2	244-200-M303	LEAD PLATE, SHIELD	
27	2	244-200-M302	LEAD PLATE, SHIELD	
26	2	244-200-M301	LEAD PLATE, TRAP DOOR	
25	1	244-200-M314	SUPPORT, DOSE CALIBRATOR	
24	1	244-200-M312	TRAP DOOR, SHIELD, DOSE CALIBRATOR	
23	1	244-200-W190	WELDMENT, SHIELD, DOSE CALIBRATOR	
22	3	244-200-M309	FILLER, COUNTER, PET LAB	
21	4	244-200-M307	LEAD SQUARE, COUNTER, PET LAB	
20	1	244-200-M306	LEAD SHEET, COUNTER, PET LAB	
19	1	244-200-W170	WELDMENT, COUNTER BOTTOM, SOLID, PET LAB	ITEMS USED ON 244-200-A000 ONLY.
18	1	244-200-W175	WELDMENT, COUNTER TOP, SOLID, PET LAB	
17	1	244-190-A011	DOOR, LEFT	
16	1	244-190-A006	DOOR, RIGHT	
15	16	244-160-M303	LEAD, Z, FRAME	
14	8	244-160-M302	LEAD, Y, FRAME	
13	8	244-160-M301	LEAD, X, FRAME	
12	1	244-160-M300	PLATE, ANTI-RACK	
11	2	244-160-A001	ASSEMBLY, SIDE PANEL	
10	1	244-160-A002	ASSEMBLY, BACK PANEL	
9	1	244-160-A003	ASSEMBLY, BOTTOM PANEL	
8	1	244-190-A004	ASSEMBLY, FRONT PANEL	
7	2	-----	SLIDE, 14", 2 MEMBER FRONT DISCONNECT,	
6	6	-----	SLIDE, 20", 3 MEMBER FRONT DISCONNECT,	
5	1	244-200-W160	DRAWER, PULL-OUT WELDMENT	
4	3	C09373	HANDLE, SHELF, PULL-OUT, BIODEX SUPPLIED	
3	3	244-200-W140	WELDMENT, SHELF, PULL-OUT	
2	2	-----	LEVELER,	
1	1	244-200-W100	WELDMENT, FRAME, PET LAB	
ITEM	QTY	PART NUMBER	DESCRIPTION	

62	1	244-205-W170	WELDMENT, COUNTER BOTTOM, PET LAB	ITEMS USED ONLY ON 244-205-A000.
61	1	244-205-W175	WELDMENT, COUNTER TOP, PET LAB	
60	4	-----	SCR, SET, FLT POINT, STL, 1/2-13 x 3/4" LG, BLK OX	
59	1	244-200-M316	PLATE, ADJUSTMENT, SHARPS SHIELD	
58	6	-----	SCREW, PAN HEAD, #8-32 x .5" LONG, ZINC-PLATED	
57	6	-----	WASHER, FLAT, #10, ZINC-PLATED	
56	2	-----	WASHER, LOCK, #10, ZINC-PLATED	
55	2	-----	SCR, PAN HD, #10-32 x .38" LG, ZINC-PLATED	
54	6	-----	WASHER, FLAT, #8, ZINC-PLATED	
53	6	-----	WASHER, LOCK, #8, ZINC-PLATED	
52	A/R	244-160-M334	SHIM, DOOR KEEPER	
51	3	-----	HOLDER, CABLE TIE,	
50	2	244-160-W180	KICK PANEL, SIDE WELDMENT	
49	4	-----	WASHER, FLAT, SAE, 1/4-20, 9/32" ID, 5/8" OD, SST	
48	4	-----	FLANGE NUT, SERRATED, 5/16-18, ZINC PLATED	
47	4	-----	ACORN NUT, 1/4-20, STAINLESS	
46	2	-----	LOCK NUT, #1/4-20, NYLON, ZINC	
45	8	-----	LOCK NUT, #10-32, NYLON, ZINC	
44	16	-----	SCR, PAN HD, TYPE AB, #10 x .63" LG, ZINC-PLATED	
43	20	-----	SCR, PAN HD, #10-24x .50" LG, ZINC-PLATED	
42	6	-----	SCR, FLT HD, #10-24x .50" LG, ZINC-PLATED	
41	4	-----	SCR, FLT HD, 1/4-20x .63" LG, ZINC-PLATED	
40	13	-----	SCR, PAN HD, TYPE AB, #10x.75" LG, ZINC PLATED	
39	16	-----	SCR, PAN HD, TYPE AB, #10x 2" LG, ZINC PLATED	
38	28	-----	SCR, PAN HD, TYPE AB, #8x.25" LG, ZINC PLATED	
37	30	-----	SCR, PAN HD, TYPE AB, #8x.50" LG, ZINC PLATED	
36				
35	1	-----	FINISHING PLUG, STEEL W/NICKEL PLATE,	
34	1	244-200-M311	SHELF, ATOMLAB	
33	1	244-200-M310	BRACKET, TUBE, SHELF	
32	1	244-200-W150	WELDMENT, TUBE, ATOMLAB	
ITEM	QTY	PART NUMBER	DESCRIPTION	





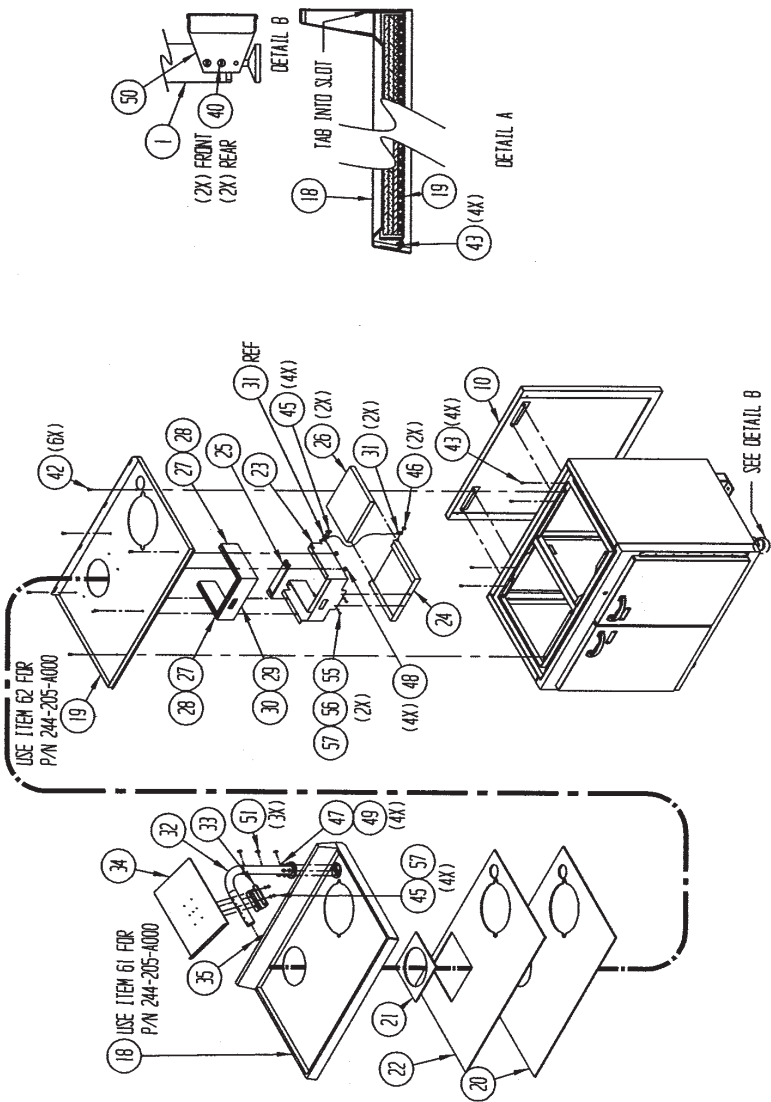
NOTE:
INSTALL TOP FRAME
LEAD AFTER ALL PANELS
ARE ASSEMBLED.

INSTALL ITEM 40
PRIOR TO ITEM 9

SECTION A-A
(W FRONT PANEL ATTACHED)

(8X TO ITEMS 16 & 17) 44

NOTE:
WHEN ATTACHING THE FRONT PANEL, THESE
(16) SCREWS THROUGH THE HINGE ARE THE
PRIMARY ALIGNMENT, AND FASTEN THROUGH
THE PANEL AND INTO THE Z-LEAD. (2) SIDES





Certified Quality Management System

BIODEX

Biodex Medical Systems, Inc.

20 Ramsay Road, Shirley, New York, 11967-0702

Tel: 800-224-6339 (In NY and Int'l, call 631-924-9000).

Fax: 631-924-9241 Email: sales@biodex.com, www.biodex.com